

WL35S-850BL18

NEOMOUNTS TV WALL MOUNT

SPECIFICATIONS

GENERAL

| | |
|-------------------|---------------------|
| Min. screen size* | 43 inch |
| Max. screen size* | 98 inch |
| Max. weight | 100 kg (per screen) |
| Screens | 1 |
| VESA minimum | 100x100 mm |
| VESA maximum | 800x400 mm |
| Distance to wall | 3,5 cm |

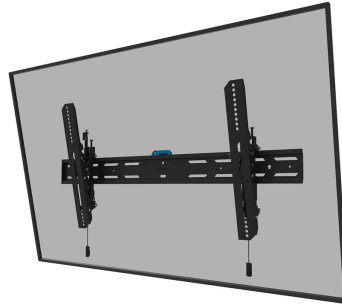
FUNCTIONALITY

| | |
|-----------------|------------------------------------|
| Type | Tilt |
| Lockable | Lockable - Security screw included |
| Tilt (degrees) | 12° |
| Height | 42,5 cm |
| Width | 88,4 cm |
| Depth | 3,5 cm |
| Adjustment type | Micro adjustment |

INFORMATION

| | |
|---------------|---------------|
| Color | Black |
| Main material | Steel |
| Warranty | 5 year |
| EAN code | 8717371448899 |

*Please note: The inch sizes stated are just an indication, combined with the weight and VESA sizes. The maximum weight and VESA size are absolute restrictions for the products and should not be exceeded.



Neomounts



Neomounts

Neomounts WL35S-850BL18 tiltable wall mount for 43-98" screens - Black

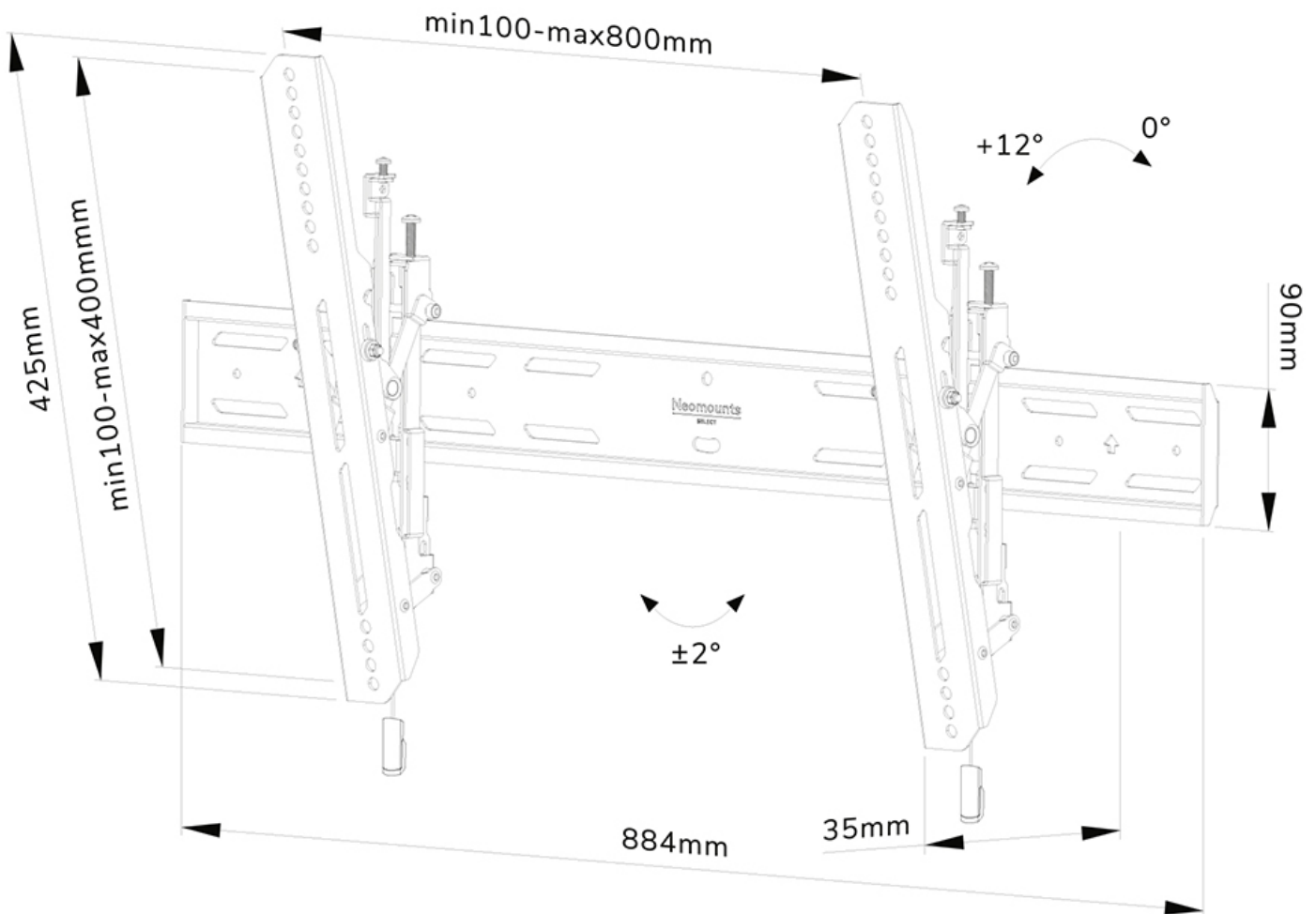
The Neomounts WL35S-850BL18 is a tiltable wall mount for flat screens up to 98" with a maximum weight capacity of 100 kg. Height and level adjustment is available for the perfect installation.

The WL35S-850BL18 has a depth of 3,3 cm and is suitable for screens that meet VESA hole pattern 100x100 to 800x400mm. It is possible to lock the wall mount using the included anti-theft screw or a padlock (not included).

The mount features a nifty magnetic pull & release system, that allows you to attach the TV in a wink of an eye and secure the TV in safe and solid manner. Afterwards, the pull & release straps can be easily hidden behind the screen by clicking the magnet to the mount. A separate spirit level tool is included with the wall mount, as well as a fixing template, to ensure easy installation of the mount.

WL35S-850BL18

NEOMOUNTS TV WALL MOUNT



Neomounts